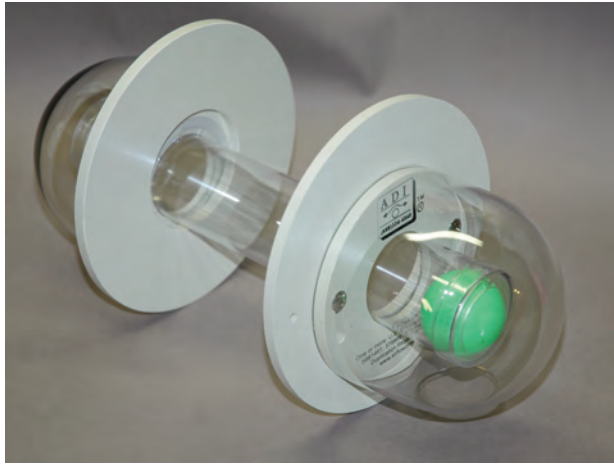


# AIRFLOW DIRECTION INCORPORATED

## VISUAL ONLY- POSITIVE BALL-IN-THE-WALL® INDICATOR



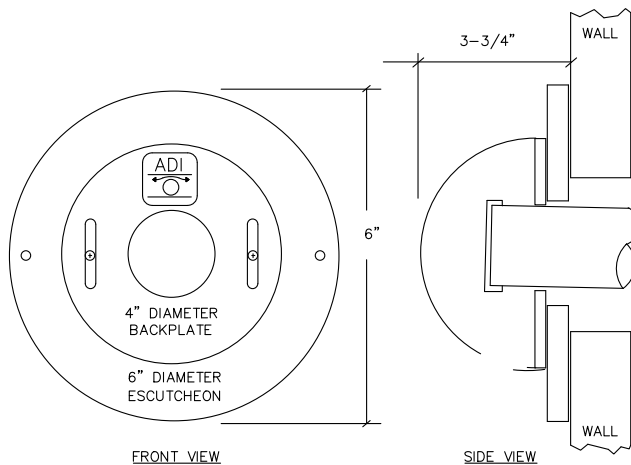
**Model ADI-69-V-P  
Positive Pressure Room**

### POSITIVE ROOM APPLICATION

(Airflow Direction Out of Room)

The ADI-69-V-P unit uses no electricity! It is used for positive pressure rooms in which the direction of airflow is out of the room. During normal operation with the door closed, the **green** ball rolls up the incline into the corridor and can be seen in the corridor but not seen from inside the room. Before the staff enters the room from the corridor, if the **green** ball is seen on the corridor side, then proper directional airflow exists.

A failsafe feature of this arrangement is the ability to check the operation of the unit. Just open the door and the **green** ball should fall down the incline into the room. Once the door is closed, the **green** ball is pushed back out into the corridor. **SIMPLE !**



### SPECIFICATIONS: MODEL ADI-69-V-P

**NOTE:** Unit installed through wall so locate where no mechanical or electrical services or studs exist in wall. Allow 6" O.D. wall clearance for mounting of 6" O.D. escutcheon plate. Size of Wall-Hole depends on wall. Mounting per side: (2) s.s.screws & 1/4" plastic anchors supplied by ADI. Dome & tube material: clear polycarbonate. **Activation Differential Pressure:** When unit is installed per ADI's instructions for continuous check and failsafe feature, 0.01" w.c. minimum. Codes, end-users, local authorities, industry practice and HVAC controls may dictate higher values. Door seals and sealed room penetrations recommended. See ADI's "Minimum Room Pressure" Technical Bulletin.



### POSITIVE ROOM WALL LABEL (included)

This 3.5" x 3.5" laminated adhesive label mounts on the corridor side and describes to the staff, the proper operation and testing of the indicator.

BALL-IN-THE-WALL®  
is a registered trademark of  
Airflow Direction Inc.