



SIMPLE ROOM PRESSURE INDICATOR FOR ANIMAL INFECTION CONTROL



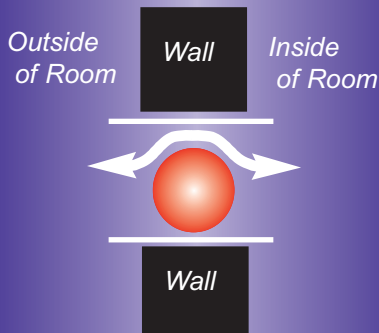
Vivarium Model ADI-69-V-N/P

ADI's *Baulin-tube*® (ball-in-tube) indicators monitor directional airflow for proper containment and protection within an Animal Resource Facility including: Holding Rooms; Procedure Rooms and Cagewash Rooms...
Great for Accreditation!

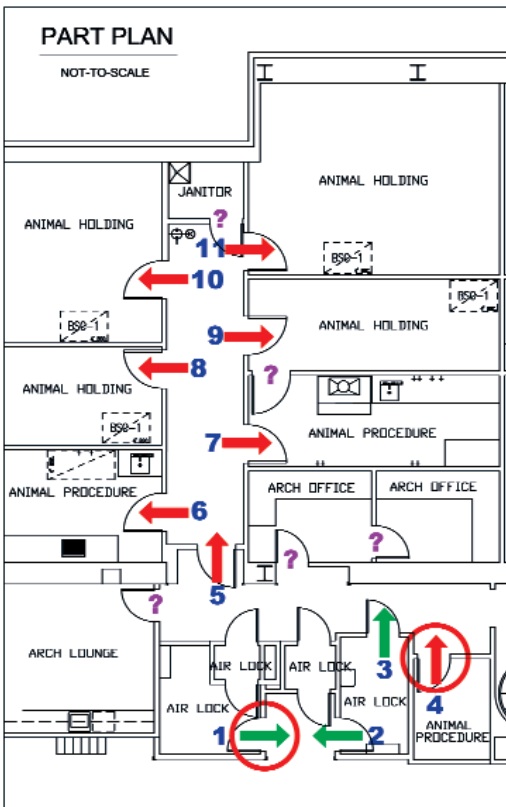
How It Works . . .

The transparent tube and inside sphere penetrates the wall. The patented* design shows you which way the air is going, into or out of the room by looking at which way the sphere rolls in response to airflow direction through the tube, into or out of the room.

For a failsafe, **self-check** feature, the tube is installed with a tilt. For example, whenever the door to a negative room is fully open, the sphere falls out of the room indicating the sphere rolls properly. When the door is closed, the sphere is pulled into the room by the negative pressure and directional airflow into the room . . . **SIMPLE!**



*Covered under one or more: US Pat# 5291182; 5410298; 5661461; 5798697; Canada # 2107396



LEGEND

NEGATIVE ROOM AIRFLOW DIRECTION ← 1 ADI.# INDICATOR (ADD)

ARROW IS IN DIRECTION OF AIRFLOW WITH DOOR CLOSED.

POSITIVE ROOM AIRFLOW DIRECTION ← 2 ADI.# INDICATOR (ADD)

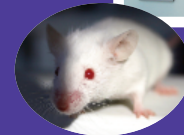
○ NEEDS ATTENTION. SEE COMMENTS

? QUESTION IF WANT AN INDICATOR AT THESE DOORS

ADI	DELTA-P	COMMENTS
01	+0.006	LOW DELTA-P
02	+0.020	
03	+0.048	
04	+0.068	WRONG DIRECTION
05	-0.043	
06	-0.045	
07	-0.014	
08	-0.024	
09	-0.045	
10	-0.015	
11	-0.070	

AIRFLOW DIRECTION DIAGRAM

use w/ accreditation room diagrams !



**Airflow
Direction
Incorporated**

Tel: (888) 334-4545

Fax: (888) 257-3555

www.airflowdirection.com
vivarium@airflowdirection.com